

## Mower Installation & Removal



### WARNING

Engage the parking brake, disengage the PTO, stop the engine and remove the key before attempting to install or remove the mower.

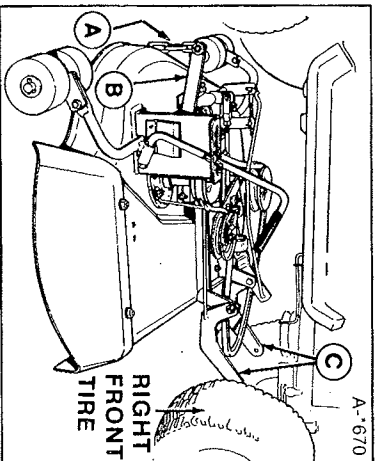


Figure 1. Installing 36" Mower  
A. Lift Chain  
B. Lift Arm  
C. Mower Hitch Arms

### NOTE

The lift chain (A, figure 1) should be connected to the rear hole in lift arm (B) unless optional large lift lever (B, figure 8) is used to raise mower. With large lift lever, connect chain in forward hole.

1. Place your tractor on a level surface, with the mower on the right side of the tractor.
2. Turn the tractor front wheels full left (figure 1).
3. Place the mower in lowest cutting position and slide it under the tractor.

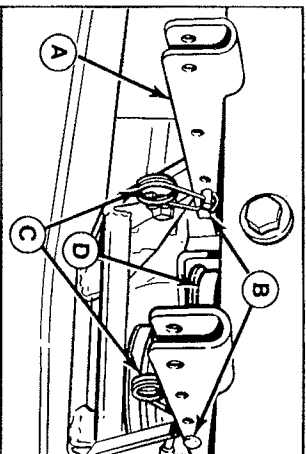


Figure 2. Mower Hitch Attached  
A. Hitch  
B. Pins  
C. Safety Clips  
D. Drive Belt

aligning arms (C, figure 1) with tractor hitch (A, figure 2).

4. Insert the link (A, figure 3) into lift arm (B) then pivot back and down. Secure chain (C) to clevis (D) with pin (E) and clip (F). If chain has four links, be sure to use only three links.

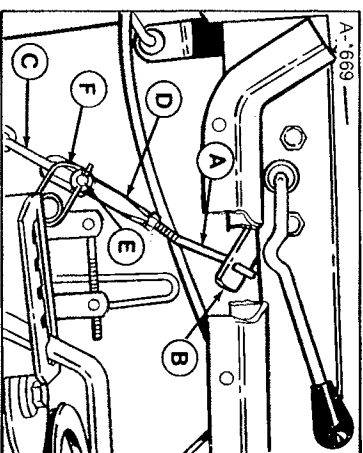


Figure 3. Lift Assembly  
A. Lift Link  
B. Lift Arm  
C. Chain  
D. Clevis  
E. Pin  
F. Clip

## Mower Installation & Removal

- Slip the mower drive belt onto the PTO pulley (C, figure 4). Loosen belt stops as necessary. The left-hand belt stop (A) is shown in figure 4. The right-hand belt stop is shown in figure 5. Check routing of belt by referring to figure 6.
- Insert one end of the PTO rod (B, figure 7) in the mower PTO arm (A) and the other end in the tractor PTO arm (C) in hole marked "MOW". The rod must be inserted into the holes from the right-hand side as shown. Refer to figure 7 to make sure the rod is correctly positioned. Install the spring clips (D).

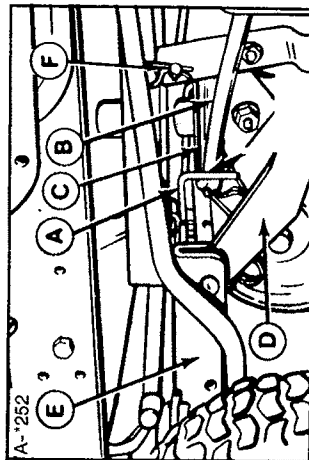


Figure 4. Left-Hand Belt Stop

- A. Belt Stop
- B. Belt
- C. PTO Pulley
- D. Mower Hitch Arm
- E. Tractor Hitch
- F. Spring Clip

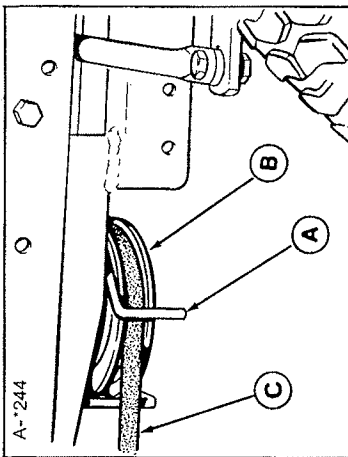


Figure 5. Right-Hand Belt Stop

- A. Belt Stop
- B. PTO Pulley
- C. Belt

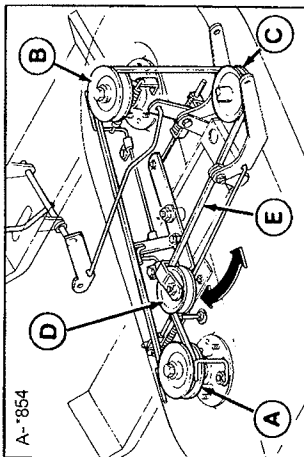


Figure 6. Mower Belt Pattern - 36"

- A. V-Pulley, Right Arbor
- B. V-Pulley, Left Arbor
- D. Flat Idler Pulley
- E. Belt

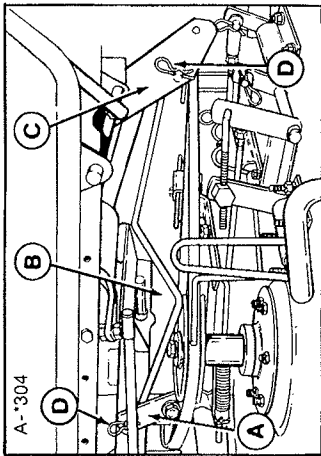


Figure 7. Installing PTO Rod

- A. Mower PTO Arm
- B. PTO Rod
- C. Tractor PTO Arm
- D. Spring Clip

- If installing mower for the first time, or if a new belt was installed, perform the mower adjustments in the Adjustments section.
- Reverse the procedure to remove the mower.

## Operation

### CONTROLS

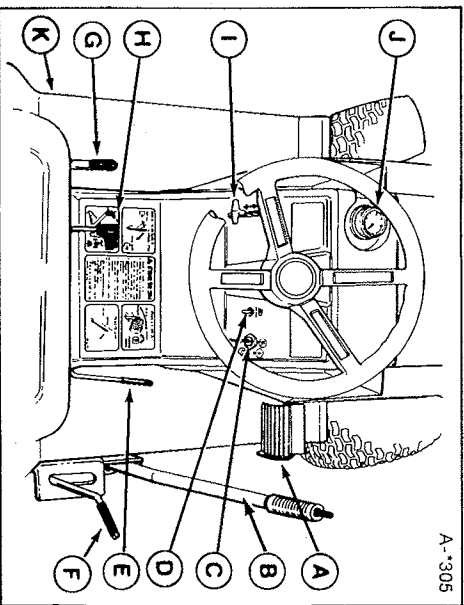
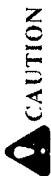


Figure 8. Tractor & Mower Controls

### INTERLOCK SWITCHES

The lawn tractors are equipped with a seat switch which will stop the engine if operator leaves seat when PTO is engaged and/or transmission is in gear. Also, switch will prevent starting if operator is not in seat. The PTO must be disengaged and transmission in NEUTRAL to start engine.

Ref.	Name	Function
A	Clutch-Brake	Disengages tractor clutch when pressed down at least halfway. Applies brake when fully depressed. Engages parking brake when latched over footrest.
B	Optional Lift Lever	Lifts and holds attachments in transport position (only required with attachment other than mower)
C	Ignition Switch	Operates with key to start, run, or stop engine.
D	Light Switch	Switches headlights on or off (if equipped).
E	Mower Lift Lever	Lifts and holds mower in transport position.
F	Mower Height Control Lever	Adjust mower cutting height.
G	PTO (Power Take Off) Lever	Engages and disengages power to attachments. Pull back to disengage.
H	Transmission Control Lever	Controls ground speed and forward/reverse motion. Push toward left to move out of neutral (center) position. Push down to go forward. Pull up to go rearward.
I	Engine Speed Control	Position from SLOW to FAST to control engine speed. Also position for engine CHOKE.
J	Gas Gauge/Cap	Shows amount of gasoline in the tank and serves as tank cap.
K	Seat Deck Latch	Pull down on latch underneath left foot rest while raising seat deck.



**Do not tow tractor. Transmission damage may result.**

**PUSHING THE TRACTOR BY HAND**

Never push the tractor faster than walking speed. To push, the transmission must be disengaged. To do this, raise the seat deck to expose the transmission engagement lever. Push the lever forward to disengage the transmission. Pull toward left and pull lever back to engage the transmission.

**BEFORE OPERATING**

1. Refer to Normal Care Chart and perform any needed care.
2. Clear the work area of any objects which may be caught in or thrown by the attachment.

**STARTING THE ENGINE**

1. Set the parking brake.
2. Place transmission control lever in NEUTRAL. The lever will snap into NEUTRAL notch when moved to center position.
3. Lift the PTO lever fully back to disengage the attachment.

4. Set engine speed control lever in CHOKE position. (A warm engine may not require choking).
5. Insert the key into ignition switch and turn to START. Release when engine starts.
6. Move the throttle out of CHOKE position.

**STARTING & STOPPING OPERATION**

1. Start the engine as described in previous procedure.
2. Place the engine speed control lever between 3/4 and full speed. Full engine speed is recommended, especially if mowing thick grass or blowing heavy snow.
3. Release the parking brake by depressing pedal and unlatching from end of footrest.
4. If possible, the first motion should be straight forward or back. Position the front wheels straight ahead.
5. To go forward, move transmission control lever to left to move out of neutral then press downward. The farther downward you press, the faster forward ground speed.

To go rearward, move transmission

control lever to left to move out of neutral then pull up. The farther upward you pull lever, the faster rearward ground speed.

6. Select the appropriate ground speed for conditions. If the terrain is rough, hilly or sloping, drive slowly. You should also drive slowly to cut thick grass or blow heavy snow. On level ground, with light grass or snow, you can use full speed.
7. Use the transmission control lever to slow down for turns or to trim around objects, then increase speed.
8. To stop, move the transmission control lever into NEUTRAL position. For a more rapid stop, depress the clutch-brake pedal. If you stop by depressing the pedal, move control lever to NEUTRAL before releasing pedal.
9. Before leaving the operator seat:
  - a. Stop tractor motion and engage parking brake.
  - b. Disengage the PTO and lower the attachment.
  - c. Set engine speed control to SLOW. Stopping a hot engine too fast may cause engine damage. Let engine idle