

BOOK OF INSTRUCTIONS

WISCONSIN *Air-Cooled*
FOUR CYLINDER ENGINE

Model VG4D

3½" Bore
4" Stroke
154 cu. in. Disp.



WISCONSIN MOTOR CORPORATION
Milwaukee 46, Wisconsin, U. S. A.

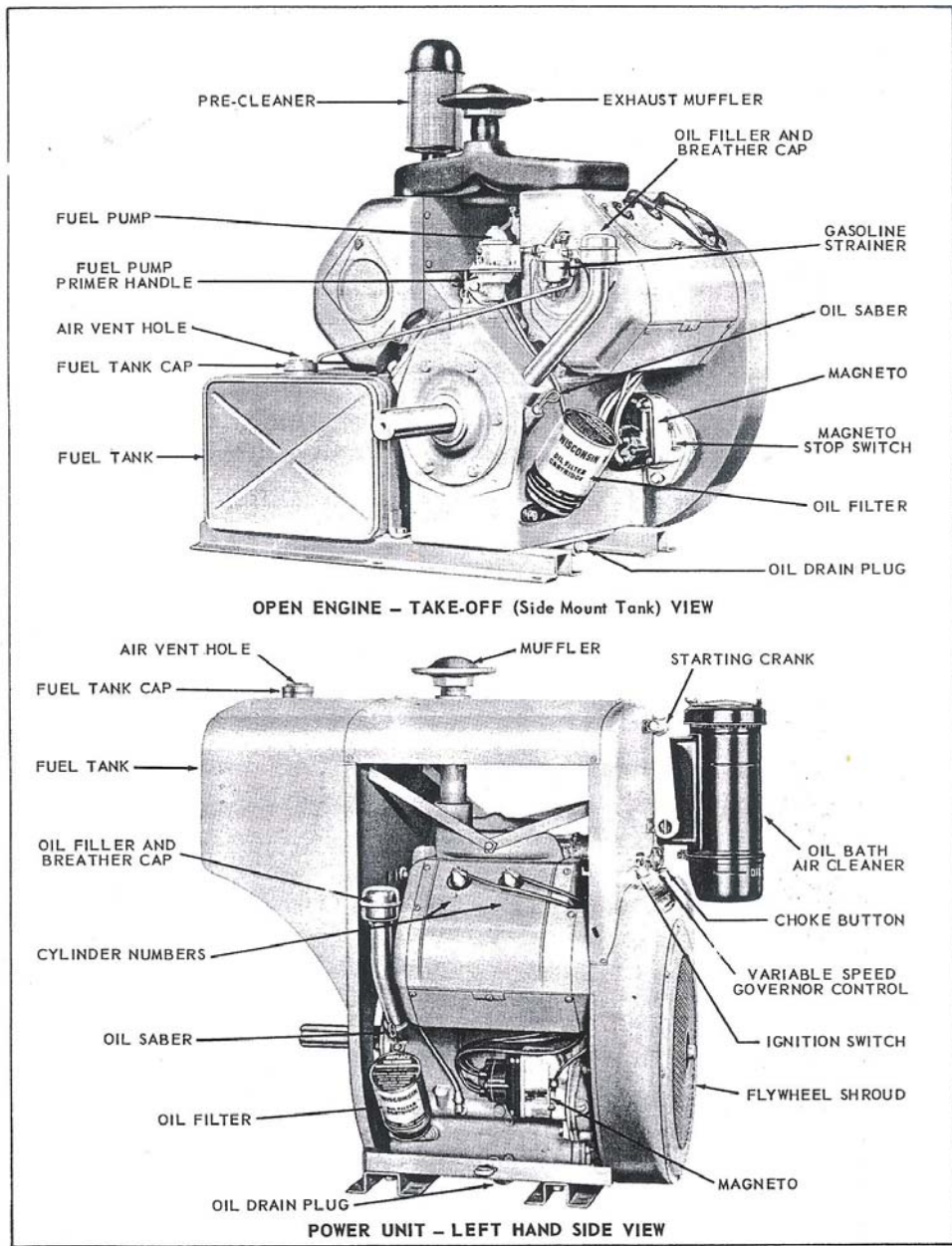


Fig. 1
MODEL VG4D OPEN ENGINE AND POWER UNIT

184556C-2
 180185C-1

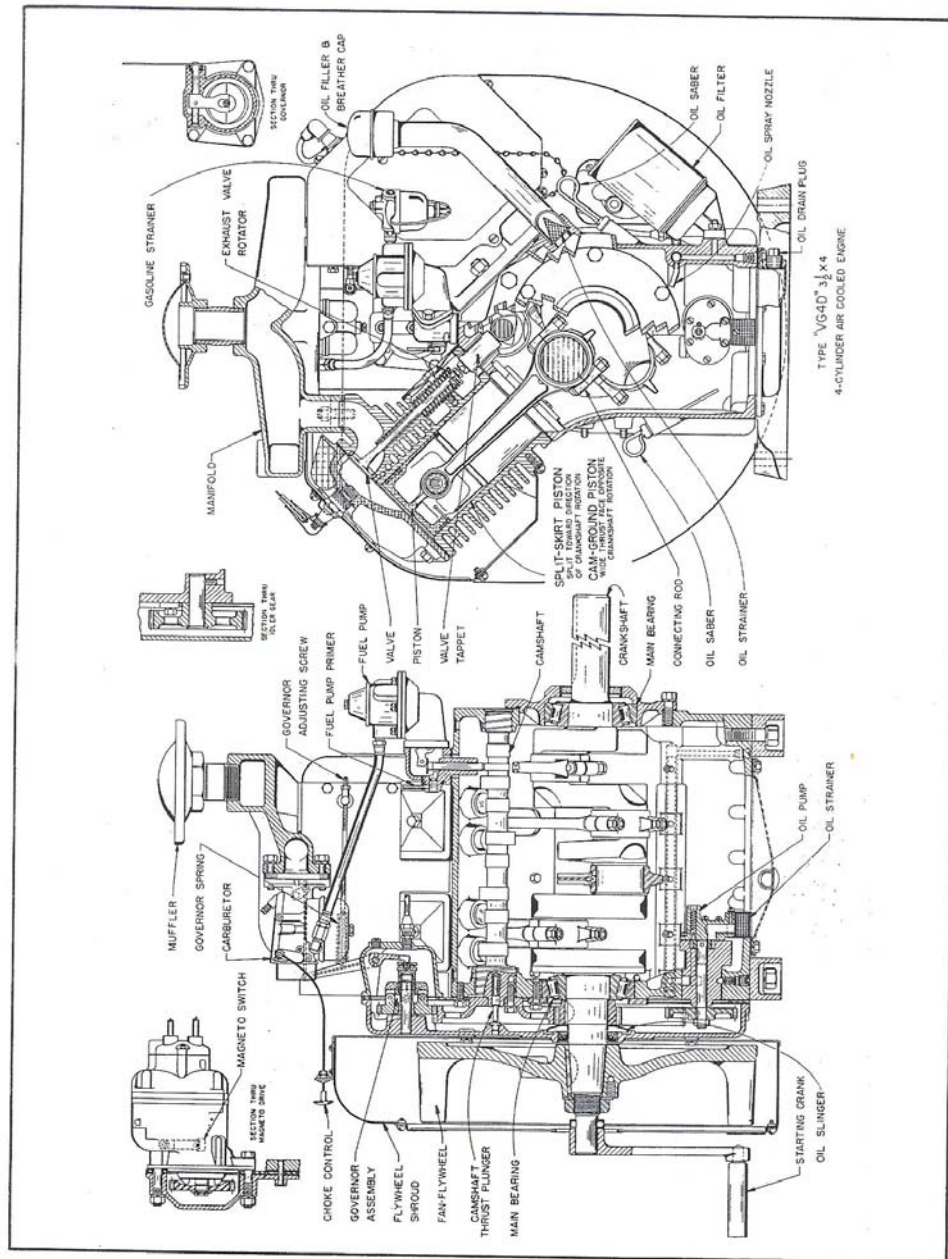
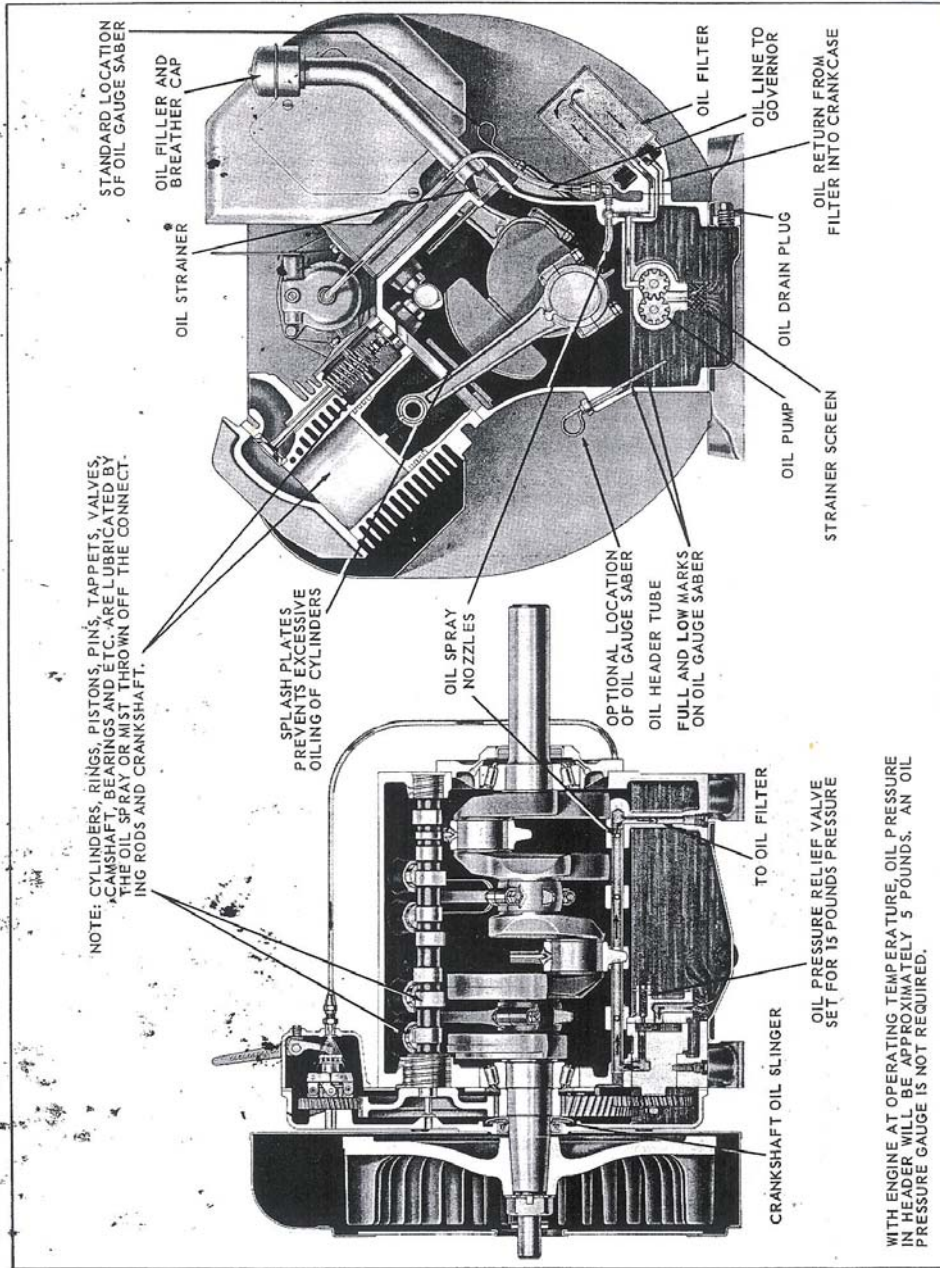


Fig. 2
CROSS SECTION OF MODEL VG4D ENGINE



NOTE: CYLINDERS, RINGS, PISTONS, PINS, TAPPETS, VALVES, CAMSHAFT, BEARINGS AND ETC. ARE LUBRICATED BY THE OIL SPRAY OR MIST THROWN OFF THE CONNECTING RODS AND CRANKSHAFT.

WITH ENGINE AT OPERATING TEMPERATURE, OIL PRESSURE IN MAIN LINE WILL BE APPROXIMATELY 5 POUNDS. AN OIL PRESSURE GAUGE IS NOT REQUIRED.

Fig. 3
LUBRICATION SYSTEM